

Please retain for future reference.

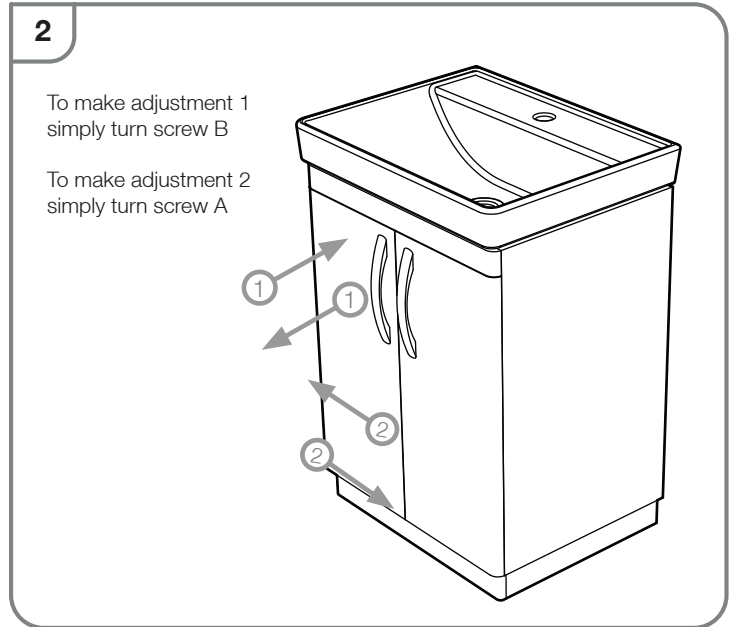
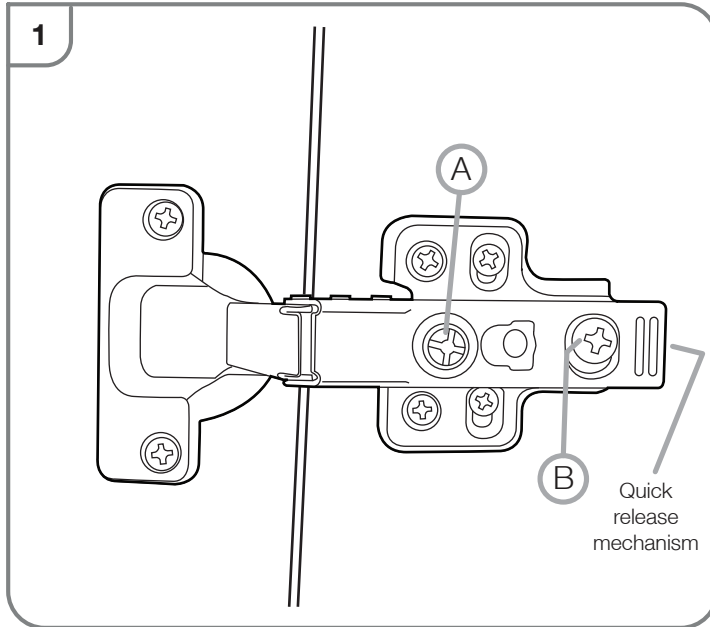
Before you start

It is recommended that the unit and basin are secured to a suitably reinforced wall to ensure stability. This should be done by screwing through the upper brace. Screws not supplied.

Wear suitable eye protection when drilling. Take care when using power tools near water - the use of a residual current device (RCD) is recommended. Beware of hidden pipes or cables. Take care when drilling tiled surfaces as the drill might slip. Use a piece of masking tape to prevent the drill from wandering.

Door Adjustment

Hinges may require adjustment for correct door alignment. This is achieved with the adjustable soft close hinges using the adjustment screws A and B (see Drawing 1).



To make adjustment 1 simply turn screw B

To make adjustment 2 simply turn screw A

Fitting ceramic basin

Once the basin has been plumbed in finish by securing to the washstand using a silicone sealant (not supplied).

Replacement components

Should you require any replacement components for this product please contact Tavistock using the contact details below.

All wooden furniture should be treated with care...

We recommend



Wipe away any water splashes or condensation after use. Excessive exposure to water will deteriorate the furniture.



All bathrooms should be well ventilated with a suitable extractor fan.



Clean with a soft damp cloth only.



Use a wax free polish if one must be used.

For removal of lime scale deposits use a suitable proprietary cleaner. If necessary test on an inconspicuous area first.

Please DO NOT...



Do not scrub or scour



Do not use abrasive cleaning agents